

# UV Absorption Ozone Analyzer - Model O342M

Low level monitoring  
of O<sub>3</sub> from  
0.4 ppb to 10 ppm

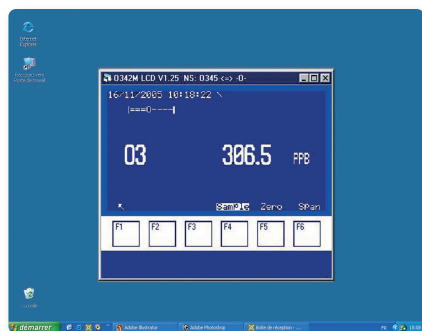


## 2M Series analyzer

- Ultra compact and light – rack 3U
- Modular design
- SMD enhanced electronics
- High precision metrology
- Enhanced data logging functions
- Complies with ISO 13964, EN 14625 and VDI 4202

## Reduced maintenance

- Ease and accessibility of components
- Traceability of parts and consumables
- Sealed ozone scrubber
- Remote maintenance and telediagnosics



CONTACT remote control software



## Major fields of applications:

- Ambient air monitoring
- Indoor air monitoring
- Mobile laboratory
- Laboratory and field studies on the effects of ozone

## Exclusive features:

- Type approvals: TÜV report n° 936/21205818/D (Germany), US EPA n°EQOA-0206-148 (USA)
- Graphic Liquid Crystal (LCD) display
- Interactive menu-driven software with enhanced speed display
- Real-time synoptic flow diagram display
- User programmable ranges and average times
- Auto-ranging
- Automatic response time
- Real time calibration graph
- User programmable ranges and average times
- Built-in serial interface (RS 2322 / RS 422)
- Built-in storage of two months average data (up to 1 year with the optional memory extension)
- Full remote emulation of the analyzer

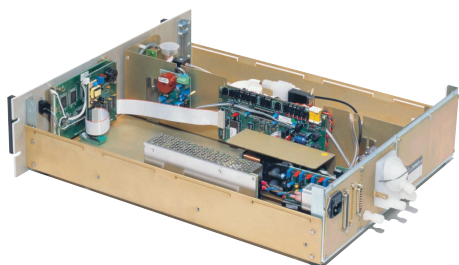
# UV Absorption Ozone Analyzer - model O342M

## Specifications:

- Ranges: 0-0.1 / 0.2 / 0.5 / 1 / 2 / 5 / 10 ppm or custom range selectable
- Noise: 0.2 ppb
- Lower detectable limit: 0.4 ppb
- Response time: automatic and programmable (minimum 20 sec.)
- Zero drift: less than 1 ppb / week
- Span drift: less than 1 % / week
- Linearity:  $\pm 1$  % of full scale
- Internal sample pump
- Sample flow rate : 1 lpm
- Pressure and temperature compensation
- Averaging time: programmable from 1 minute to 24h
- Data storage: more than 2 months (1/4h data)
- Chassis: 19" rack mount, 3U
- Dimensions: 545 mm x 483 mm x 133 mm (W x D x H)
- Weight: 9 kg ( 20 lbs )
- Power supply: 115 V, 60 Hz or 230 V, 50/60 Hz
- Power consumption: 70 VA
- Operating temperature: +5 to +40°C
- Digital output: RS 232 / RS422
- PVDF sample filter holder

## Options:

- Memory extension
- Ethernet network connection
- ESTEL electronic board (1 or 2) with:
  - 4 independent analog inputs
  - 4 independent analog outputs
  - 4 remote control inputs
  - 6 dry contacts outputs
- SOREL electronic board with:
  - 4 dry contacts outputs
  - 4 dry contacts inputs
- Internal ozone generator & filter
- 24V DC power supply for on-board applications
- Valves block for customer-supplied zero air and span gas
- O<sub>3</sub> generator



## Principle of operation :

Model O342M ozone analyzer combines years of experience of a wide range of analyzers with an enhanced electronics package and a modular component parts design (measurement module, ozone generator module, 24V power supply module, analog input-output module...).

The outcome is an ultra compact and lightweight (rack 3U), easy-to-use analyzer capable of measuring ozone at ppb levels.

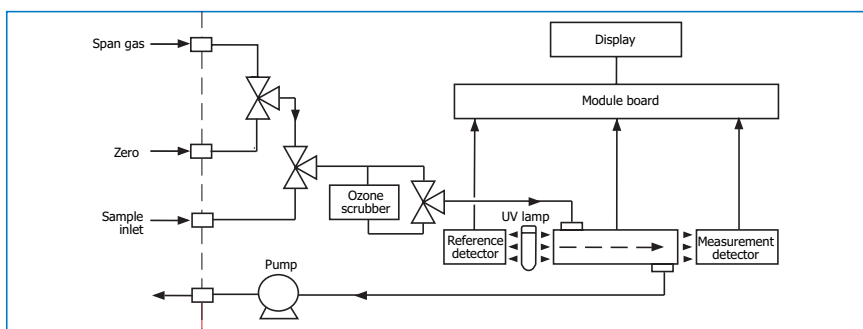
Applied to ozone measurement, the universally known UV absorption principle consists in measuring UV absorption of ozone molecules. Ozone concentration is determined by difference between UV absorption of the gas sample and the sample without ozone after filtration performed by a catalytic converter.

The analyzer was developed to meet customers' requirement for reduced and easier maintenance.

Equipped with a sealed ozone scrubber located in the thermo-regulated measurement module, easily interchangeable, the O342M combines a powerful, easy-to-use interface with quality components and design technology.

Real-time calibration graphs can be displayed during span check operation.

Multi-tasking software, combined with the LCD graphic display, gives a user-friendly access to the instrument set-up, as well as the status and maintenance parameters. Real-time synoptic, auto-diagnostic and maintenance data screens can be displayed while the instrument is operating. The new electronics allow enhanced data storage of up to one year of 15 minute averages, and total remote troubleshooting diagnostic capabilities via modem, using the analyzer's complete display and functions emulation.



## Distributed by: